



Model KH62 Differential Pressure Transmitter for Corrosion Gases

OUTLINE

This is a semiconductor strain gauge type differential pressure transmitter which senses micro-pressure differential of gas including corrosion gas and convert it into electric signals proportionate to that pressure differential.

FEATURES

- Excellent corrosion resistant properties are provided because of applications of hardened polyvinyl chloride for a flange which contacts measuring gas and of CALLETS for diaphragm protection.
- Output signals are based on the unified signals of industrial gauges (4 mA to 20 mA DC) and can be transmitted through the 2-wire electric current transmission method.
- In case of mistaking application of excessively large pressure (within a range of five times of measuring pressure), the construction allows no damage to an oscillator and no measuring gas leakage.

SPECIFICATION 1

Fluid:

Gas or liquid

Operating condition:

Under the normal condition, where there is no inflammable gas or liquid which cause the ignition or explosion.

Mounting:

Surface mounting, 2B pipe mounting

Connection:

Rc1/4 (PT female)

Wetted parts material:

Flange Vinyl chloride

Diaphragm Karlez

* Karlez is a brand name of a rubber material made by Dupont. Chemical resistance of the product is nearly the same as that of fluorocarbon resins.

Differential proof pressure:

0 ~ 0.3 → 0 ~ 3kPa

One side pressure tight:

500% of differential pressure range

Operating pressure range:

0 ~ 20kPa

Operating temperature:

0 ~ 60°C (But fluid should not be frozen)

Power source:

24V DC ±10%

Output:

4 ~ 20mA DC

Load resistance:

500Ω max.

Transmission system:

2 wire system

Accuracy:

±1.5%F.S., ±2.0%F.S., ±3.0%F.S.

(Depending on differential pressure range)

Temperature coefficient:

±0.15 % F.S. / °C or ±0.2 % F.S. / °C (Zero)

(But depending on differential pressure range)

±0.1%F.S./°C (Span)

Outlet for electric wire:

PF1/2 (Conduit type)

Case material · finishing:

Aluminium alloy casting (AC7A) · Gray

Construction:

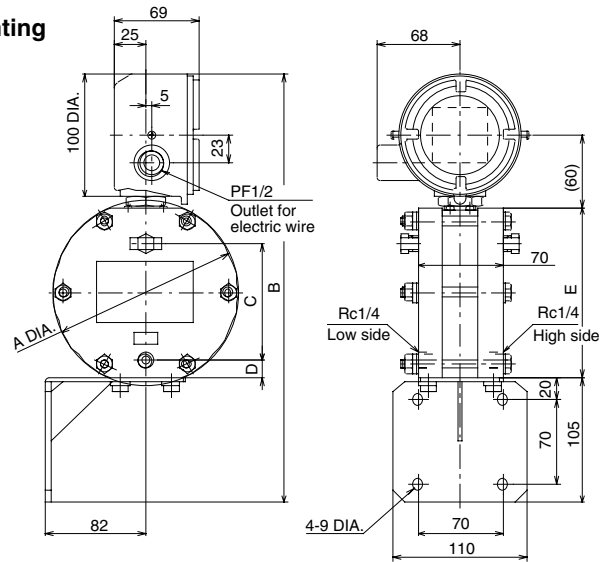
Splash-proof (IP54)

Weight:

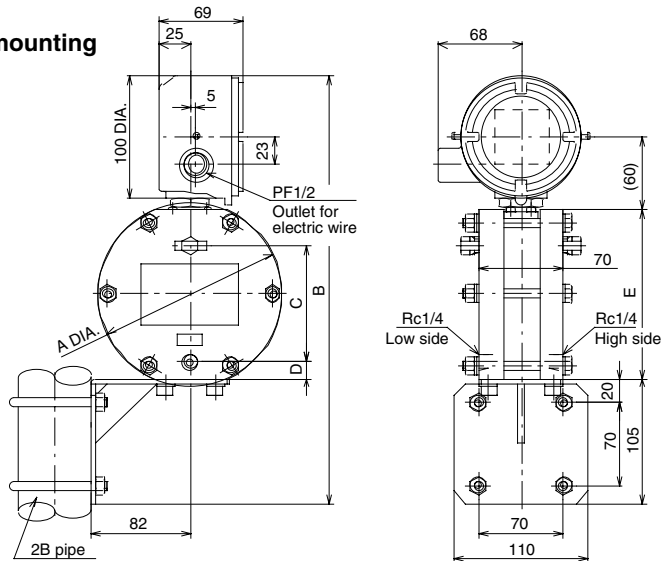
Approx. 5.2 kg

DIMENSIONS

Surface mounting

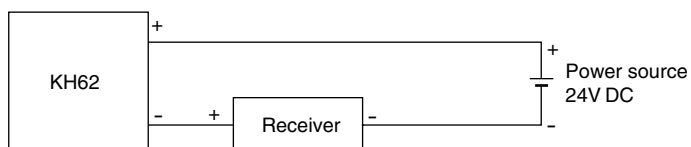


2B pipe mounting



Differential pressure range	A	B	C	D	E
0 ~ 1kPa	152	355	96	14	140
0 ~ 0.5kPa					
0 ~ 0.3kPa					
0 ~ 2kPa	126	323	70	13	108
0 ~ 3kPa					

WIRING



Type No. constitution

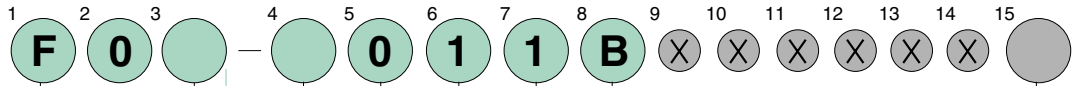
Please specify Type No.,each specification and range, when ordering.

Note: For this Model,there is no applicable item for the figures X ,but please specify X when ordering.

Differential pressure transmitter for corrosion gases

K H 6 2

Type No.



1 2 3 Mounting

F03	Surface mounting
F05	2B pipe mounting

4 Differential pressure range (kPa)
(When ordering, please specify pressure range & unit.)

1	0 ~ 0.3	±3.0%F.S.
2	0 ~ 0.5	±2.0%F.S.
3	0 ~ 1, 2, 3	±1.5%F.S.

5 Accuracy

0	Standard ±1.5%F.S., ±2.0%F.S. or ±3.0%F.S. (Depending on differential pressure range)
---	---

6 Power source

1	24V DC±10%
---	------------

7 Output

1	4 ~ 20mA DC (2 wire system)
---	-----------------------------

8 Outlet for electric wire (Conduit type)

B	PF1/2
---	-------

15 Document

0	Nil
1	Please specify your requirement Drawing one sheet, Instruction manual, Inspection procedure, Mill sheet, Test report