



DG85

Differential Pressure Gauges

OUTLINE

This is a differential pressure gauge to detect the differential pressure, etc. due to the pressure losses of an air conditioning filter, being applied to extremely low pressure measuring.

This is a high-precision differential pressure gauge applied not only to minute differential pressure gauge application but flow meter and minute differential pressure gauge application.

FEATURES

- Small hysteresis silicone rubber is applied to the diaphragm.
- This pressure gauge is of high pressure resistance type.
- Zero adjustment from the outside is possible.
- In the case of the wall type pressure gauges, by exchanging the right with the left of the volute fitting the connection of the high pressure side and the low pressure side can be inverted.

SPECIFICATION 1

Fluid:

Air or non-corrosive gas

Construction:

Case sealed type

Mounting system:

Panel mounting, surface mounting

Mounting posture:

Horizontal mounting, vertical mounting

Size:

85 DIA.

Connection:

6 DIA. Copper pipe, 8 DIA. Copper pipe, 6 DIA. Barb connection

Gas contact part:

Diaphragm Silicone rubber
Case Plastic

Differential pressure range:

0 ~ 0.05 → 0 ~ 30kPa (0 ~ 5 → 0 ~ 3000 mmH₂O)

Proof-pressure:

10 ~ 150kPa (0.1 ~ 1.5kgf/cm²)
(Depending on differential pressure range)

Case proof-pressure:

200kPa (2kgf/cm²)

Operating temperature:

-20 ~ 60°C (But fluid should not be frozen)

Accuracy:

±(5% F.S.+0.002kPa), ±(2.5%F.S.+0.002kPa)
or ±(1.5% F.S.+0.002kPa)
(Depending on differential pressure range)

Scale angle:

250°

Temperature error:

Less than 1% of max. rating value (But at 10 ~ 30°C)

Case finishing:

Black

Weight:

Approx. 480g

Accessories: (Option)

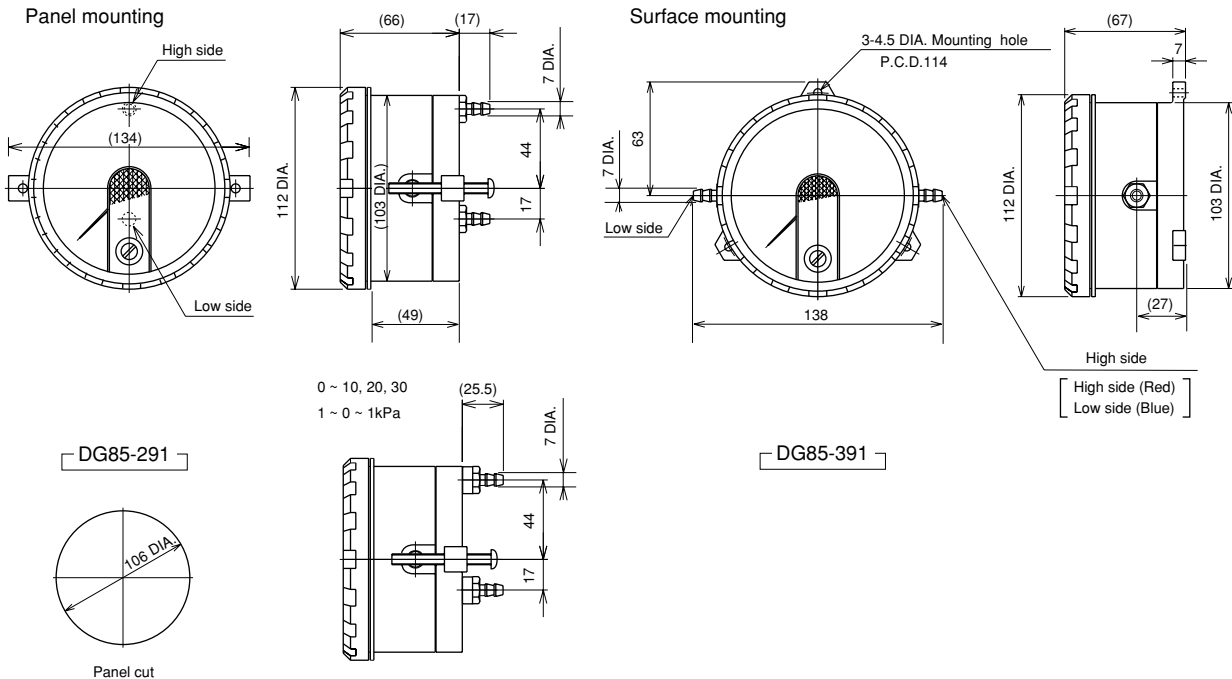
Pulsation protector
Type No. FS80-00□

SPEIFICATION 2

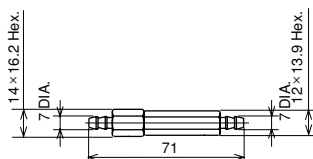
Accuracy and proof-pressure:

Differential pressure range kPa (mmH ₂ O)	Accuracy	Proof-pressure
0 ~ 0.05 (0 ~ 5)	± (5% F.S. +0.002kPa)	10kPa (0.1kgf/cm ²)
0.01 ~ 0 ~ 0.04 (1 ~ 0 ~ 4)		
0 ~ 0.1 (0 ~ 10)		
0.05 ~ 0 ~ 0.05 (5 ~ 0 ~ 5)		
0.1 ~ 0 ~ 0.1 (10 ~ 0 ~ 10)	± (2.5% F.S. +0.002kPa)	40kPa (0.4kgf/cm ²)
0 ~ 0.2 (0 ~ 20)		
0 ~ 0.3 (0 ~ 30)		
0 ~ 0.5 (0 ~ 50)		
0 ~ 1 (0 ~ 100)		
0 ~ 2 (0 ~ 200)		
0 ~ 3 (0 ~ 300)		
0 ~ 5 (0 ~ 500)		
0.05 ~ 0 ~ 0.25 (5 ~ 0 ~ 25)		
0.2 ~ 0 ~ 0.2 (20 ~ 0 ~ 20)		
0.3 ~ 0 ~ 0.3 (30 ~ 0 ~ 30)	± (1.5% F.S. +0.002kPa)	150kPa (1.5kgf/cm ²)
0.5 ~ 0 ~ 0.5 (50 ~ 0 ~ 50)		
1 ~ 0 ~ 1 (100 ~ 0 ~ 100)		
0 ~ 10 (0 ~ 1000)		
0 ~ 20 (0 ~ 2000)		
0 ~ 30 (0 ~ 3000)		

DIMENSIONS



Pulsation protector (Option)



Type No.	Application range kPa (mmH ₂ O)
FS80-002	Full scale 0.2 (20) or less
-003	0-0.3 (3.0), 0-0.5 (50), 0-1 (100)
-004	0-2 (200), 0-3 (300), 0-5 (500)
-005	0-10 (1000)
-006	0-20 (2000), 0-30 (3000)

Type No. constitution

Please specify Type No., each specification and range, when ordering.

Note: For this Model, there is no applicable item for the figures X, but please specify X when ordering.

