



DG16 · 17

Differential Pressure Gauges

OUTLINE

This differential pressure gauge is compactly designed to measure differential pressure of 2 places. This can be used for not only measurement of differential pressure, but also measurement of tank level, loss of head of strainer or flow measurement of pipe-line by combination with orifice.

Micro switch is used for the diff. pressure gauge with electric contact and suitable for ON-OFF control.

FEATURES

- It can bear high pressure by liquid filled in the element interior, and isn't damaged even if extreme extraneous pressure, reverse pressure acts by valve operation.
- Process pipe laying connection gets vent plug whether it is an account, and can select it in top and bottom freedom.

* Case of demand asks for a unit of a street (kgf / cm² single dial) up to now as ordered.

SPECIFICATION 1

Model:

DG16 Differential pressure gauge
DG17 Differential pressure gauge with electric contacts

Fluid:

Gas or liquid

Operating condition:

In case of DG17, under the normal condition, where there is no inflammable gas or liquid which cause the ignition or explosion.

Mounting type:

2B pipe mounting, Panel mounting (DG16 only),
Surface mounting

Filled liquid:

Silicone oil (General use), Daifloil (Oxygen use)

Size:

150 DIA.

Connection:

Rc1/4 (PT female), 1/4NPT female

Wetted parts material:

Body SCS14
Bellows 316Lst.st.
Gasket NBR

Differential pressure range:

0 ~ 20 kPa → 0 ~ 0.2 MPa (0 ~ 0.2 → 0 ~ 2 kgf/cm²)

Base pressure:

0 ~ 10 MPa (0 ~ 100 kgf/cm²)

One side pressure tight:

10 MPa (100 kgf/cm²)

Operating temperature:

-5 ~ 40°C (But fluid should not be frozen)

Indication accuracy:

±1.5%F.S. (DG17: ±3.0% F.S. at contact setting time)

Blowout disk:

When an emergency, Bourdon tube exploded, it open up internal pressure from blowout disk, and blowout disk prevents puncture of Window.

Note To keep normal function, please take a space behind of gauge at least 10mm when installing.
Don't process or stop up the blowout disk.

Case material • finishing:

Aluminium alloy casting (AC7A) • Black

Valve-manifold: (Option)

Three-way valve manifold which combined the stop valve for high and low pressure and strap valve. This valve manifold is suitable for checking zero point or zero adjustment during operation and also available to prevent excess differential pressure or reversal differential pressure.

Type No.: FV43-99, FV43-993

Dial scale specified: (Option)

Printed words, colored circle, customer's logo

Weight:

DG16 Approx. 5.2 kg ~ approx. 5.9 kg

DG17 Approx. 6.4 kg ~ approx. 6.6 kg

DG17 DIFFERENTIAL PRESSURE GAUGE WITH ELECTRIC CONTACT

Setting accuracy:

Within 1%F.S.

Dead band:

Fixed, within 10%F.S.

Temperature coefficient:

$\pm 0.05\%F.S./^{\circ}C$

Switch:

Micro switch

Number of contact:

One contact or two contact

Setting system:

Internal adjustment type (0 ~ 100% scale) with setting lock

Outlet for electric wire:

Conduit type PF3/4, PF1/2, Rc1/2, 1/2NPT

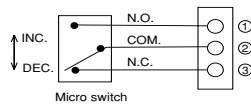
Electric characteristics:

	Rating		Withstand voltage	Insulation resistance	Load inductive
	Load resistance	Load inductive			
125V AC	5 A	2 A	1500V AC	500V DC 100M Ω over	Power factor 0.4 over (AC) Time-constant 0.7 or less (DC)
250V AC					
8V DC	1 A	—	Between terminal and case 1 minute	Between terminal and case	
14V DC					
30V DC					

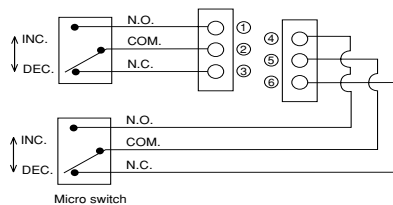
WIRING

DG17

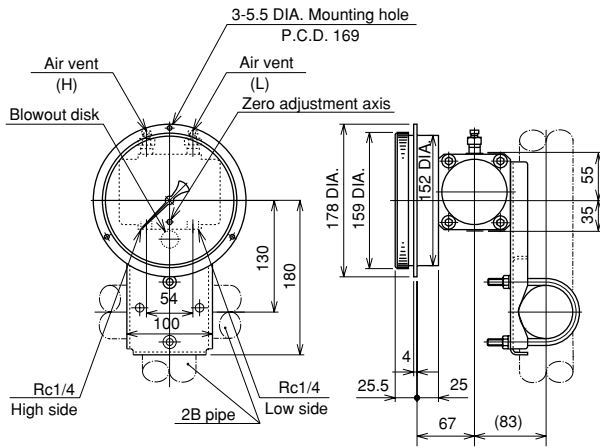
One contact



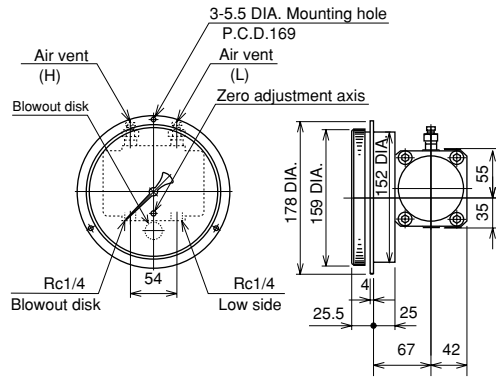
Two contact



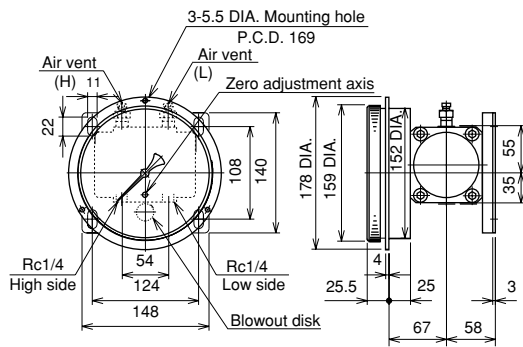
DIMENSIONS



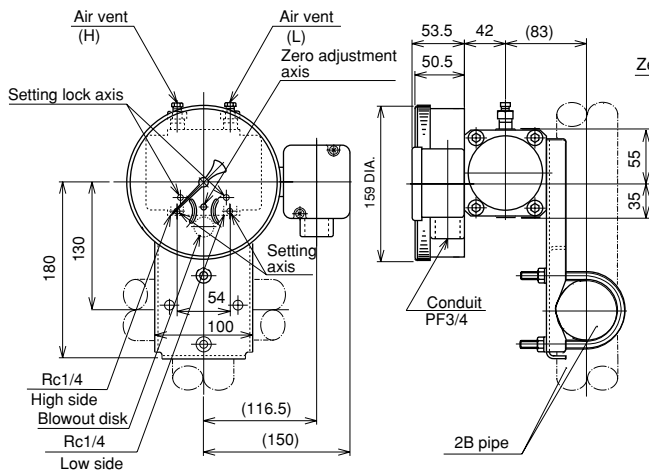
□ DG16-173 □



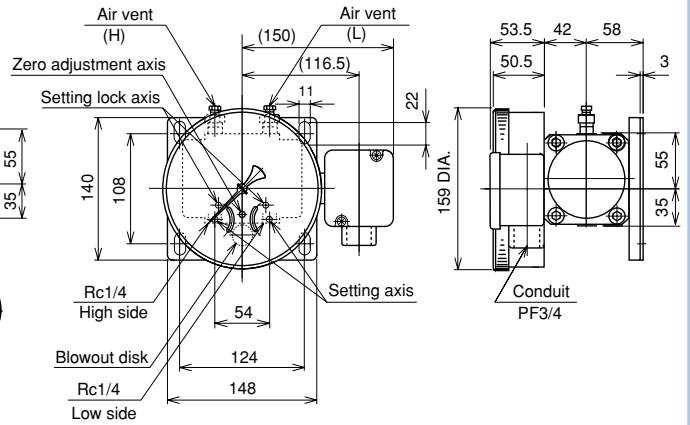
□ DG16-273 □



□ DG16-373 □



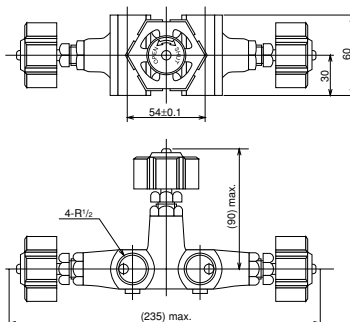
□ DG17-173 □



□ DG17-373 □

Valve-manifold: (Option)

Type No.: FV43-9□

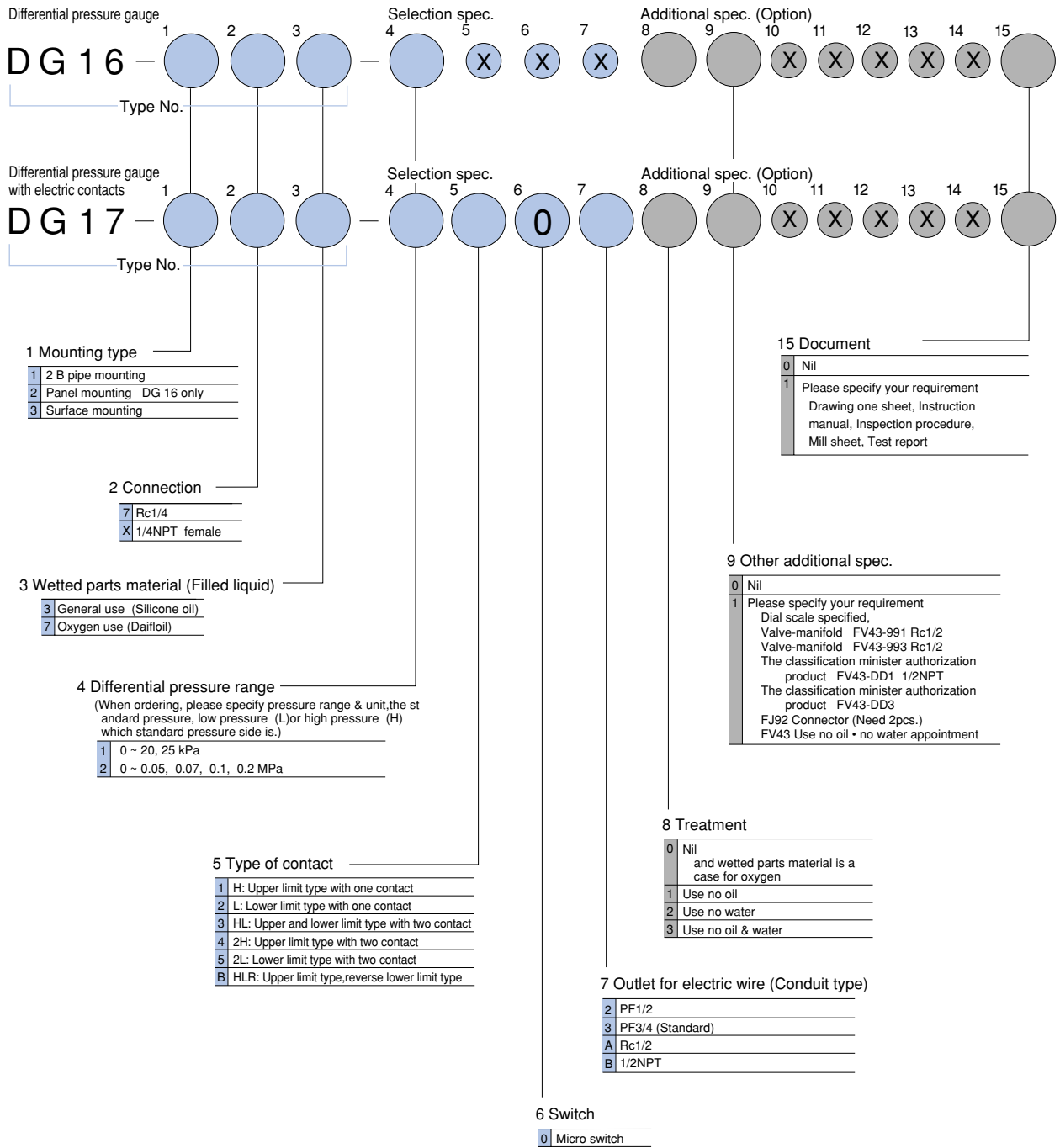


* As for connection of differential pressure gauge and valve-manifold, FJ92-001(2 pieces) is necessary.

Type No. constitution

Please specify Type No., each specification and range, when ordering.

Note: For this Model, there is no applicable item for the figures X, but please specify X when ordering.



NAGANO KEIKI CO., LTD.

